

Frese PV

- (DK) Montagevejledning**
- (DE) Montageanleitung**
- (EN) Mounting instructions**
- (ES) Instrucciones de montaje**

Danmark · Tlf. +45 58 56 00 00
 Deutschland · Tel. +49 (0)241 475 82 333
 UK · Tel. +44 (0)1704 896012

FIG 1

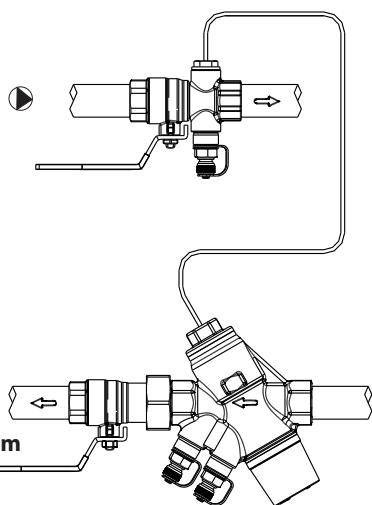


FIG 2

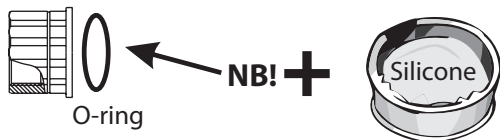


FIG 3

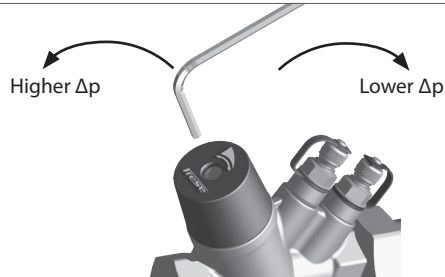
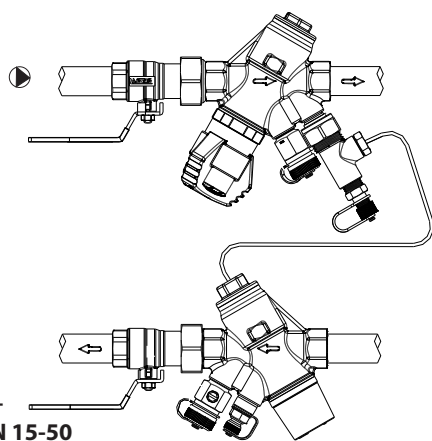
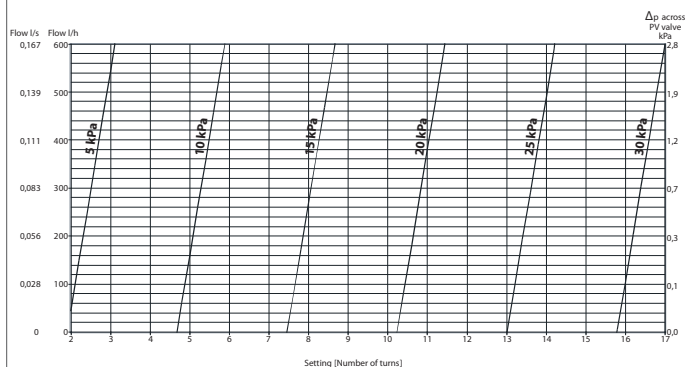


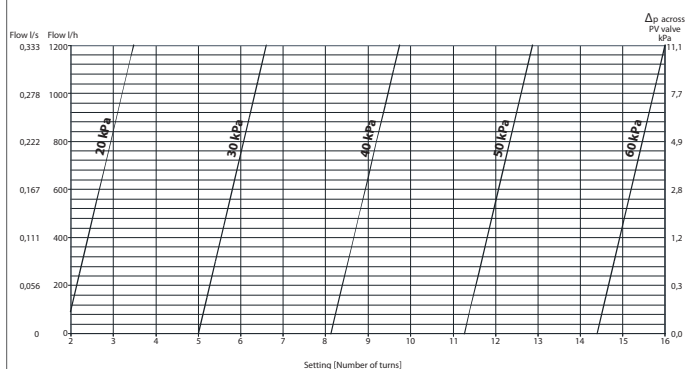
FIG 4



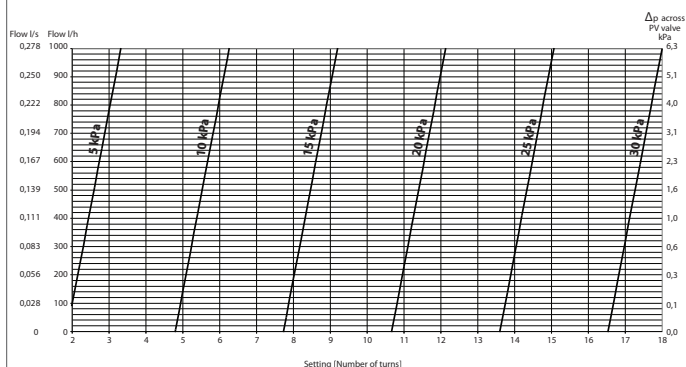
Frese PV DN15, 5-30 kPa



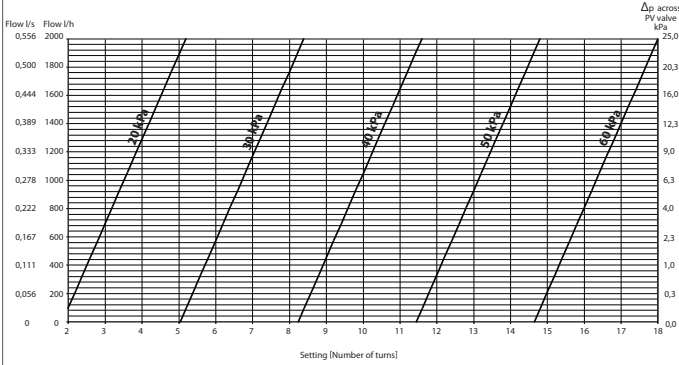
Frese PV DN15, 20-60 kPa



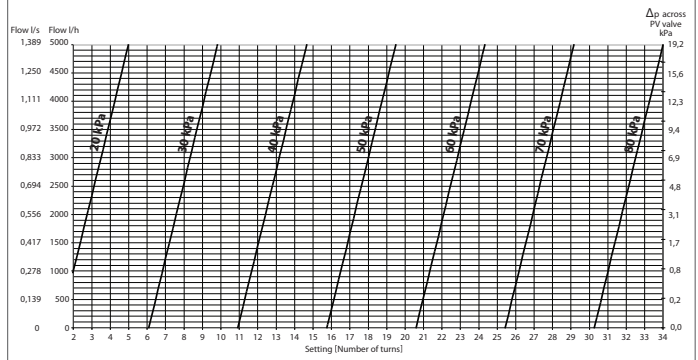
Frese PV DN20, 5-30 kPa



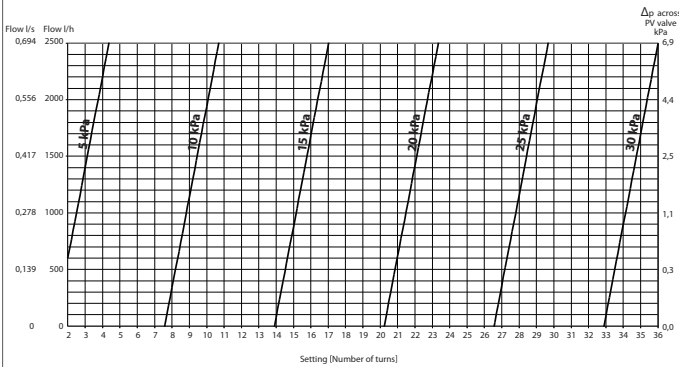
Frese PV DN20, 20-60 kPa



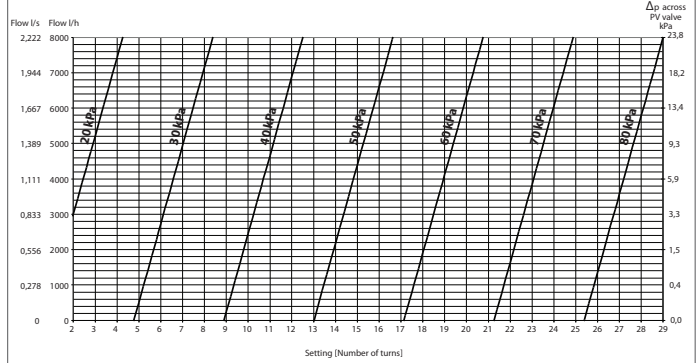
Frese PV DN32, 20-80 kPa



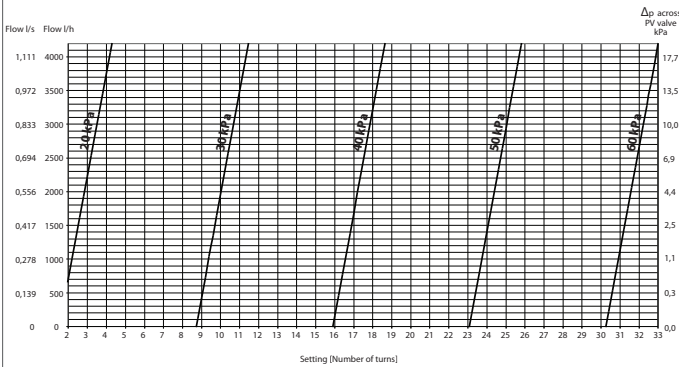
Frese PV DN25, 5-30 kPa



Frese PV DN40, 20-80 kPa



Frese PV DN25, 20-60 kPa



Frese PV DN50, 20-80 kPa

